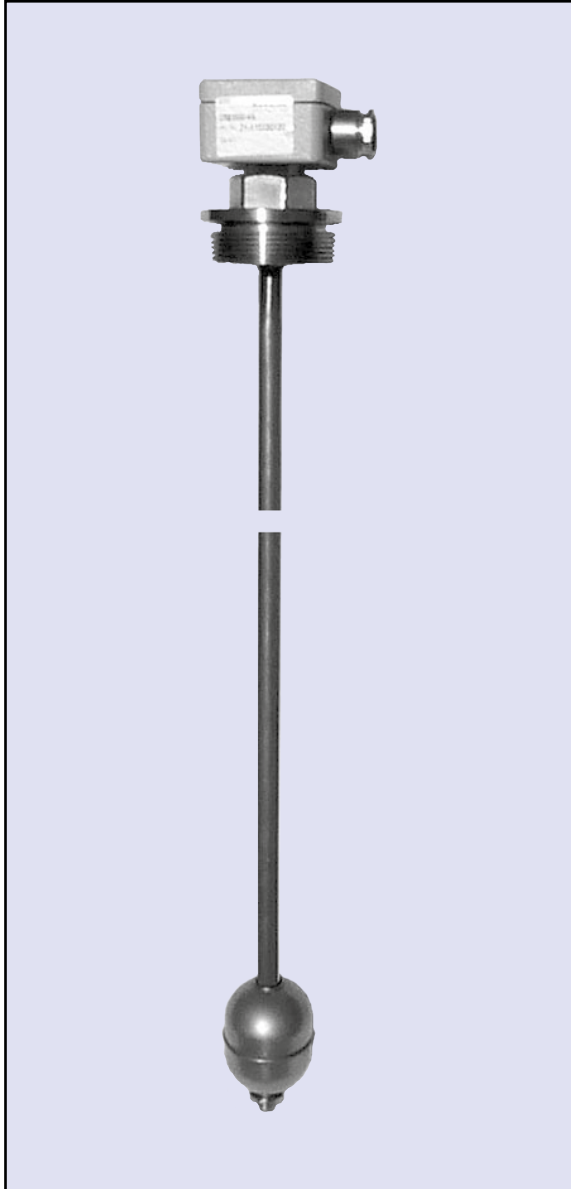


## Tank Level Indicating Systems

### Type USE 3000

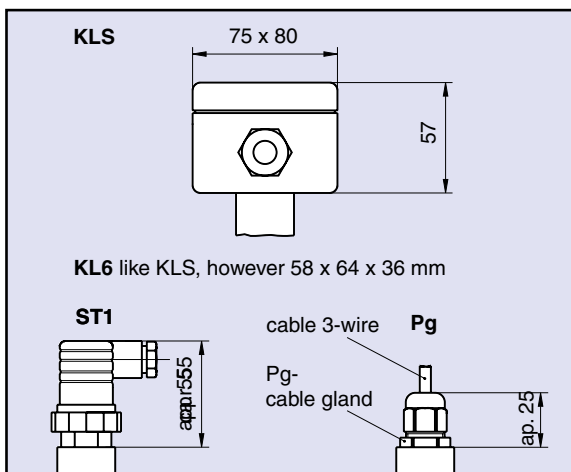
#### USE 3000 - Level Sensor up to 3000 mm Length



#### Technical Data

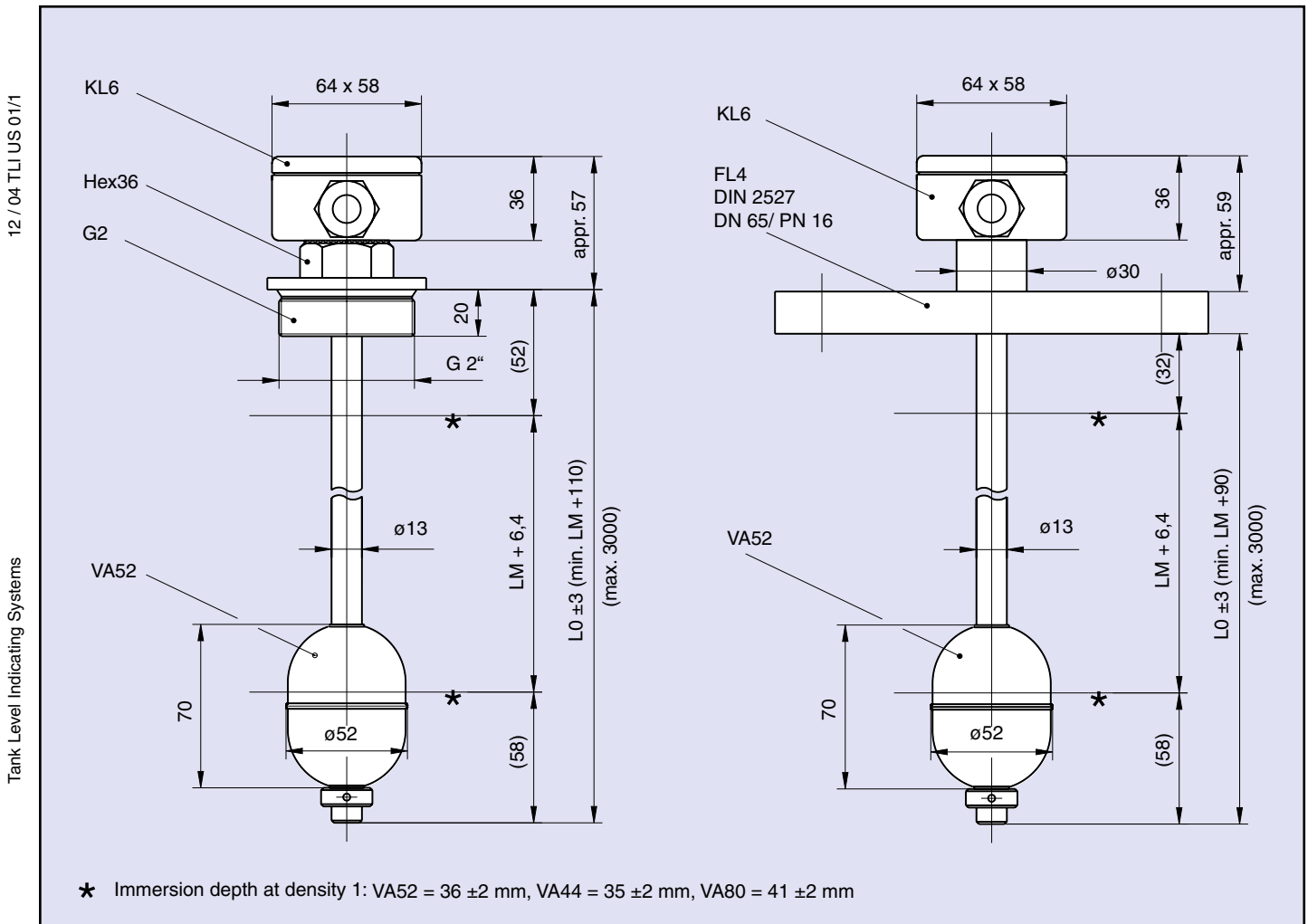
|                       |  |
|-----------------------|--|
| Max. Length $L_0$     | : 3000 mm  |
| Materials             | : Stainless steel (1.4571, 1.4404), brass, other material on request   |
| Mounting Element      | : Stainless steel (1.4571, 1.4404), tank screw or flange   |
| Stem                  | : Stainless steel (1.4571), brass, $\varnothing = 13 \times 1$ mm  |
| Float                 | : Stainless steel (1.4571)<br>- VA44, $\varnothing = 44$ mm, oval<br>min. media density = 0,9 g/cm <sup>3</sup><br>max. pressure = 25 bar<br>- VA52, $\varnothing = 52$ mm, oval<br>min. media density = 0,74 g/cm <sup>3</sup><br>max. pressure = 25 bar<br>- VA80, $\varnothing = 82$ mm, ball<br>min. media density = 0,5 g/cm <sup>3</sup><br>max. pressure = 16 bar |
| Electrical Connection | : ST1 - Cube plug DIN43650 (3-pin + earth)<br>PG - Cable gland PG 13,5 incl. 1,5 m cable<br>KL6 - Aluminum terminal box (58 x 64 x 36 mm, 3 terminals)<br>KLS - Aluminum terminal box incl. transducer MU3L (75 x 80 x 57 mm)  |
| Protection Class      | : ST1, KL6, KLS = IP65, PG = IP67  |
| Temperature Ranges    | : -10 °C... + 90 °C<br>-50 °C...+150 °C HT - high temperature only with KL6 or silicone cable possible   |
| Total Resistance      | : 0...100 kOhm   |
| Power Supply          | : 8 ... 35 V DC with transducer, max. 24 V DC without transducer   |
| Type of Screen        | : R12 = screen 12,7 mm (1/2")<br>accuracy $\pm 6,4$ mm<br>appr. 0,2% at 3000 mm measuring length   |
| Wiring                | : 3-wire, length up to 5000 mm depending on cable diameter   |
| Options               | : DR - slosh tube, Pt100-element, thermo reed, HT - isolation, interfacial level indication  |

#### Electrical Connections



## Type USE 3000

### Dimensions (in mm)



### Order number example

| Type | Series | Material | Mounting Element | Electrical Connection | Float Type | Screen | Meas. Length LM | Options |
|------|--------|----------|------------------|-----------------------|------------|--------|-----------------|---------|
| USE  | 3000   | VA       | G2               | KL6                   | VA52       | R12    | 2000            | -       |

### Your order number

|     |      |  |  |  |  |  |  |  |
|-----|------|--|--|--|--|--|--|--|
| USE | 3000 |  |  |  |  |  |  |  |
|-----|------|--|--|--|--|--|--|--|

| Material                                     | Mounting Element                              | Electrical Connection   | Float Type   | Screen  | Meas. Length LM (in mm)            | Options   |
|--|---|---|--|---|------------------------------------|---|
| (VA)<br>Stainless steel<br>1.4571/<br>1.4408 | (G2)<br>G 2 Tank<br>screw                     | (ST1)<br>Plug DIN 43650,<br>3-pin + PE<br>(PG)<br>Cable gland PG13,5,<br>incl. 1,5 m cable                    | (VA52)<br>Stainless steel<br>float<br>ø52 mm   | (R12)<br>Standard<br><br>(R08)<br>Fine screen | xxxx<br><br>(e. g.:<br>2 m = 2000) | (PT100)<br>Integrated tempera-<br>ture measurement via<br>Pt100-element<br><br>(TR)<br>Integrated tempera-<br>ture measurement via<br>thermo reed<br><br>(DR) Slosh tube<br>(HT) HT-isolation<br>(TM) Interfacial level<br>indication |
| (MS)<br>Brass                                | (FL4)<br>DIN-flange,<br>DN65/PN16,<br>only VA | (KL6)<br>Aluminum terminal box,<br>3 terminals<br><br>(KLS)<br>Aluminum terminal box<br>incl. transducer MU3L | (VA44)<br>Stainless steel<br>float<br>ø44 mm<br><br>(VA80)<br>Stainless steel<br>float<br>ø82 mm |   |                                    |   |

Specifications are subject to changes without notice.