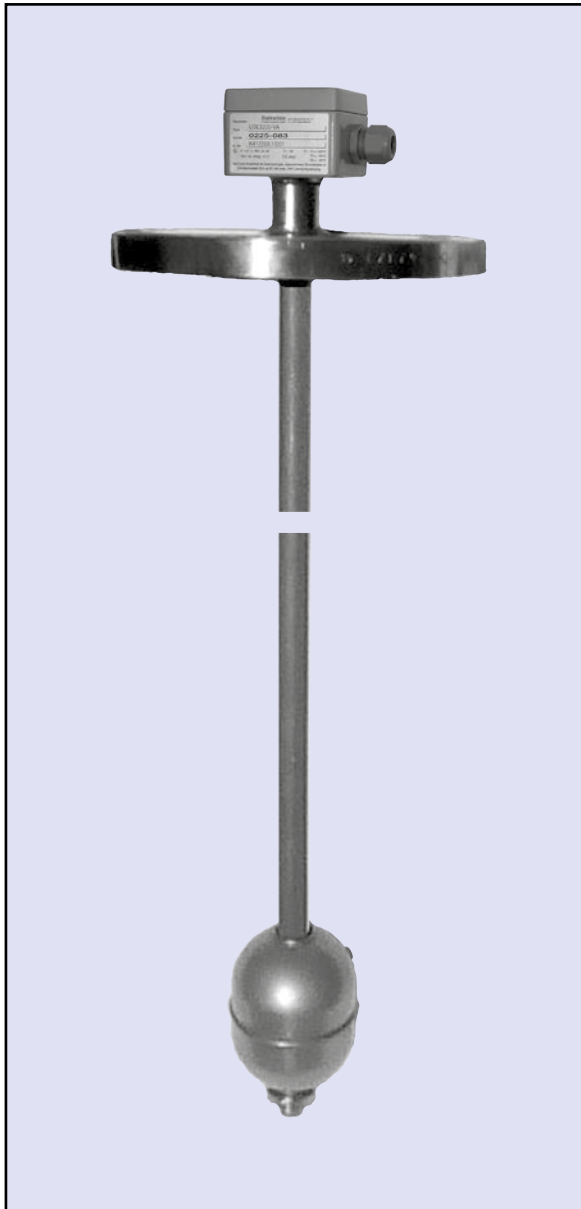


Tank Level Indicating Systems

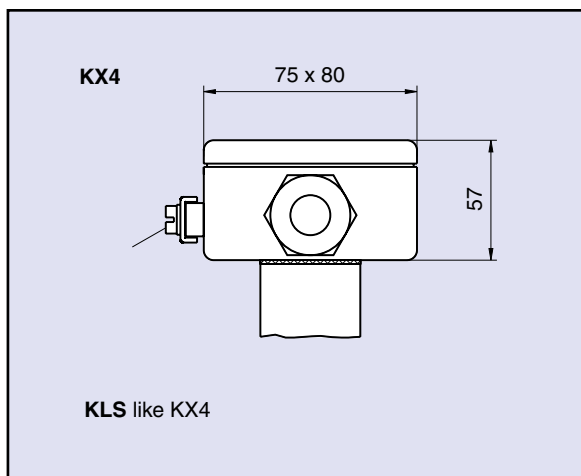
Type USE 3200



USE 3200 - Level Sensor for Applications in Category 1



Electrical Connections



Technical Data

| | |
|--|--|
| Max. Length L_0 | : 3000 mm |
| Materials | : Stainless steel (1.4571, 1.4408) |
| Mounting Element | : Stainless steel (1.4571, 1.4408), tank screw or flange |
| Stem | : Stainless steel (1.4571), $\varnothing = 13 \times 1$ mm |
| Float | : Stainless steel (1.4571) - VX44, $\varnothing = 44$ mm, oval min. media density = 0,9 g/cm ³ max. pressure = 25 bar - VX52, $\varnothing = 52$ mm, oval min. media density = 0,73 g/cm ³ max. pressure = 25 bar - VX80, $\varnothing = 82$ mm, ball min. media density = 0,5 g/cm ³ max. pressure = 16 bar |
| Electrical Connection | : KX4 - Aluminum terminal box (75 x 80 x 57 mm, 3 terminals) KLS - Aluminum terminal box incl. transducer MUEX (75 x 80 x 57 mm) |
| Protection Class | : KLX, KX4, KLS = IP65 |
| Registration Mark | : KX4: II 1 G Ex ia IIC T6...T1 Ga KLS: II 1 G Ex ia IIC T6...T1 Ga II 1/2 G Ex ia IIC T6...T1 Ga/Gb II 2 G Ex ia IIC T6...T1 Gb |
| Certificate No. | : TÜV 19 ATEX 239657 X |
| Temperature Ranges | : T1...T4 to +100 °C T5 to +75 °C T6 to +60 °C |
| Temperaturbereiche with Transducer MUEX | : T1... T4 to +85 °C T5... T6 to +60 °C |
| Total Resistance | : 10 kOhm ...100 kOhm |
| Power Supply | : 8 ... 24 V DC with transducer, max. 24 V DC without transducer |
| Type of Screen | : R12 = screen 12,7 mm (1/2") accuracy $\pm 6,4$ mm appr. 0,2% at 3000 mm measuring length |
| Wiring | : 3-wire, length up to 5000 mm depending on cable diameter |
| Options | : DR - slosh tube, interfacial level indication |

Tank Level Indicating Systems

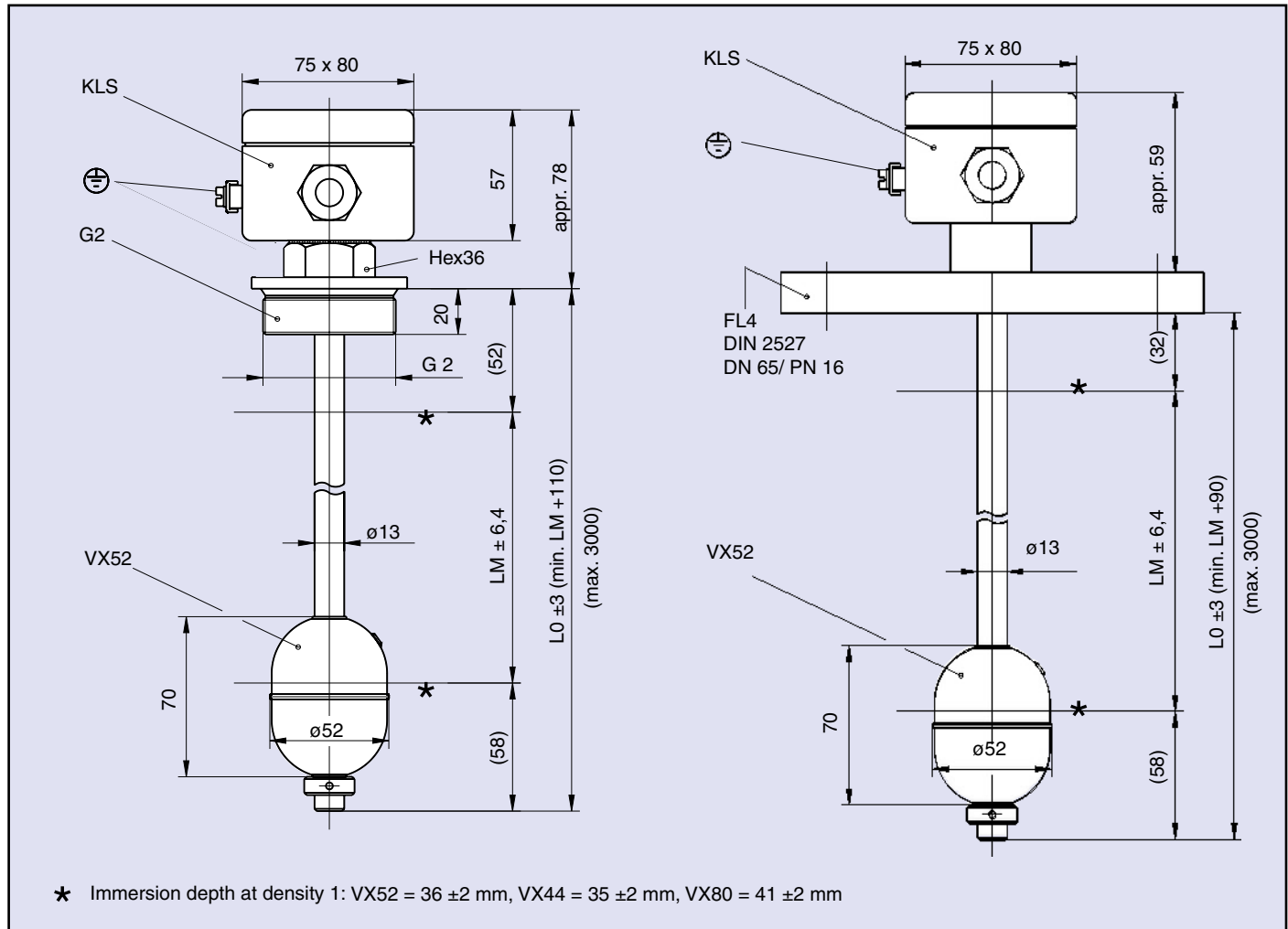
Type USE 3200



Dimensions (in mm)

12 / 04 TLI US 01/1

Tank Level Indicating Systems



Order number example

| Type | Series | Material | Mounting Element | Electrical Connection | Float Type | Screen | Meas. Length LM | Options |
|------|--------|----------|------------------|-----------------------|------------|--------|-----------------|---------|
| USE | 3200 | VA | FL4 | KLS | VX52 | R12 | 2000 | - |

Your order number

| | | | | | | | | |
|-----|------|--|--|--|--|--|--|--|
| USE | 3200 | | | | | | | |
|-----|------|--|--|--|--|--|--|--|

Specifications are subject to changes without notice.

| Material | Mounting Element | Electrical Connection | Float Type | Screen | Meas. Length LM (in mm) | Options |
|--|--|---|--|-------------------|------------------------------------|---|
| (VA) Stainless steel 1.4571/ 1.4408 | (G2) G 2 Tank screw (FL4) DIN-flange, DN65/PN16, only VA | (KX4) Aluminum terminal box, 3 terminals (KLS) Aluminum terminal box incl. transducer MUEX | (VX52) Stainless steel float, ø 52 mm (VX44) Stainless steel float, ø44 mm (VX80) Stainless steel float, ø82 mm | (R12) Standard | xxxx (e. g.: 2 m = 2000) | (DR) Slosh tube (TM) Interfacial level indication |